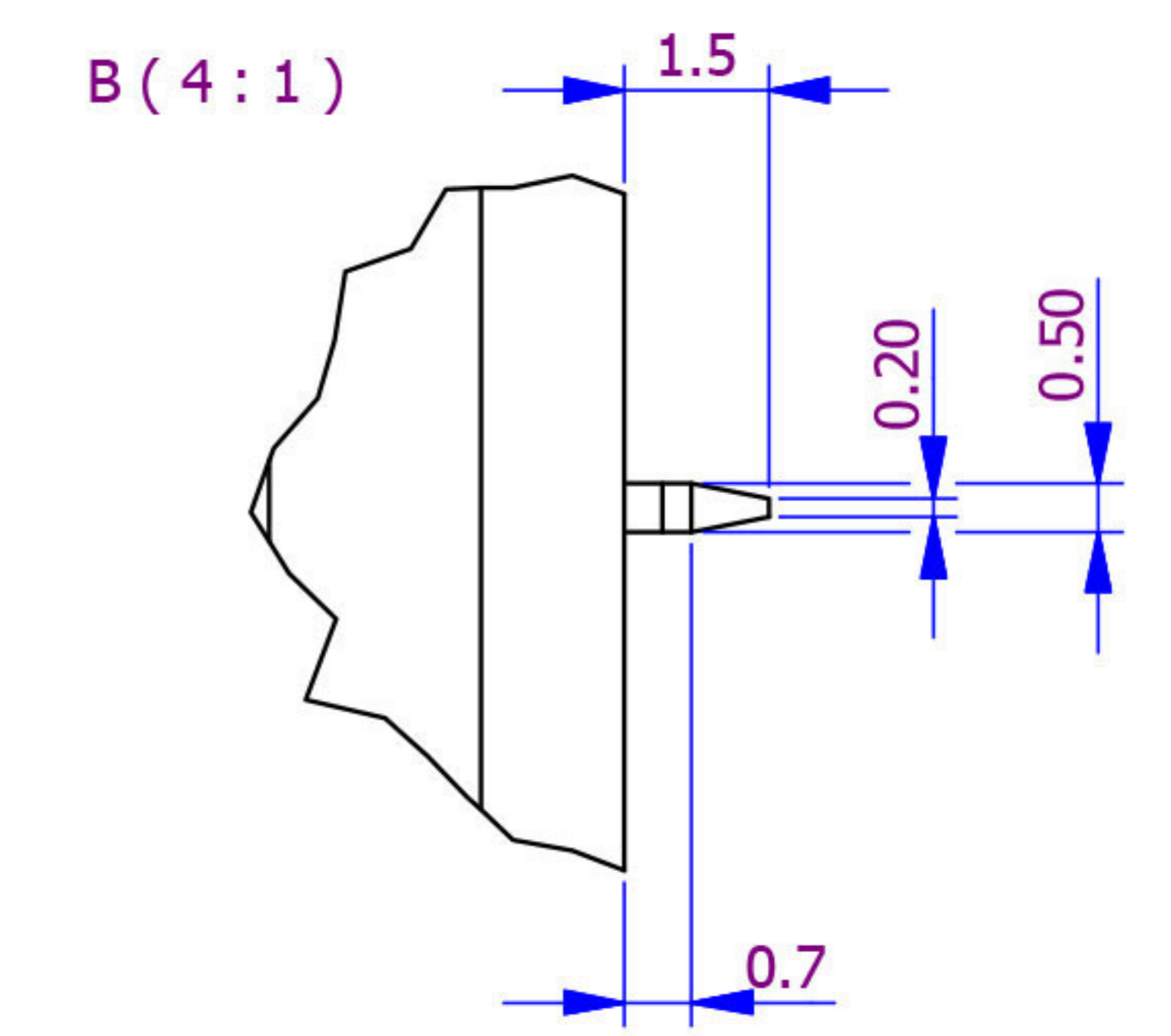
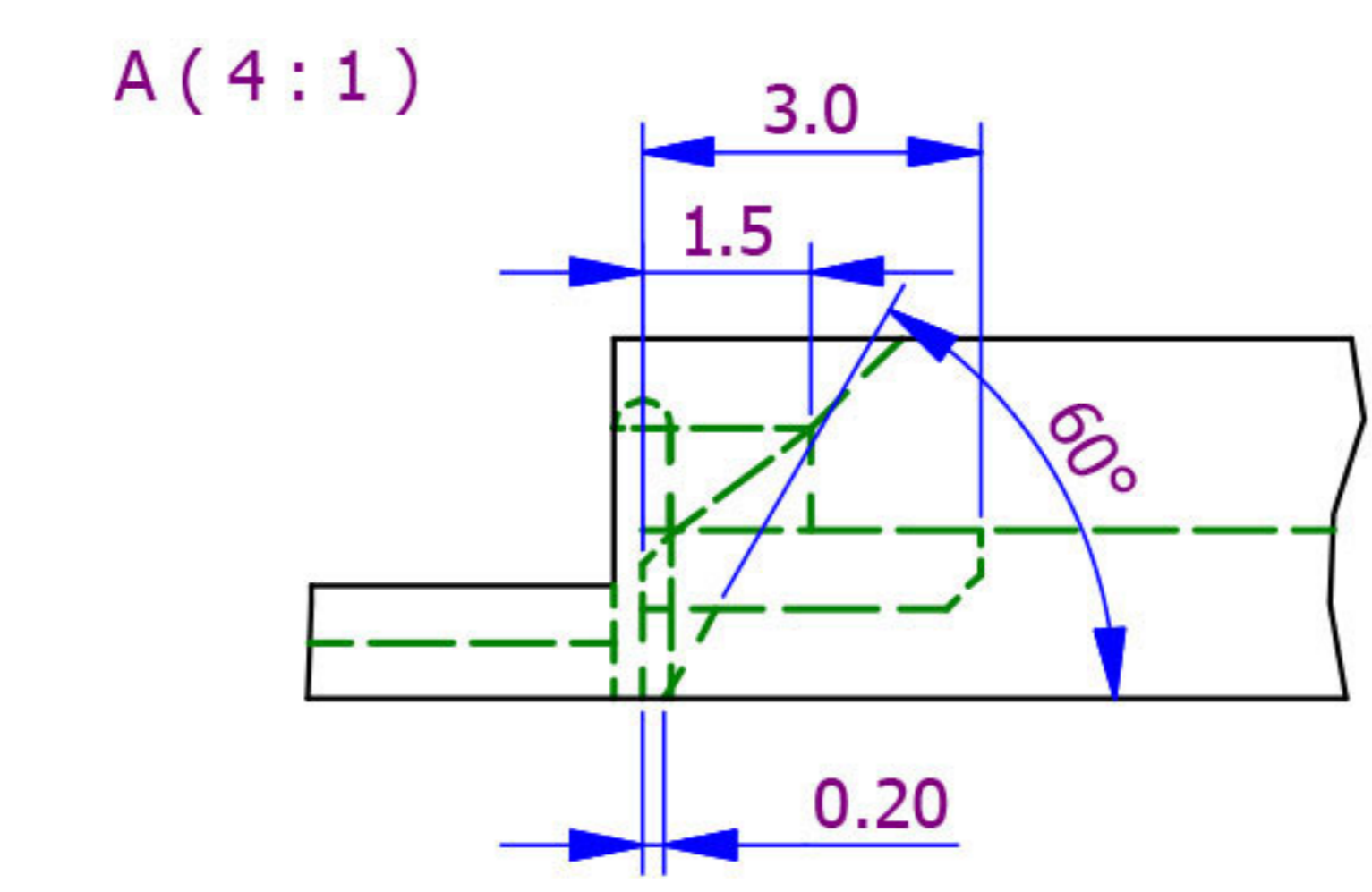
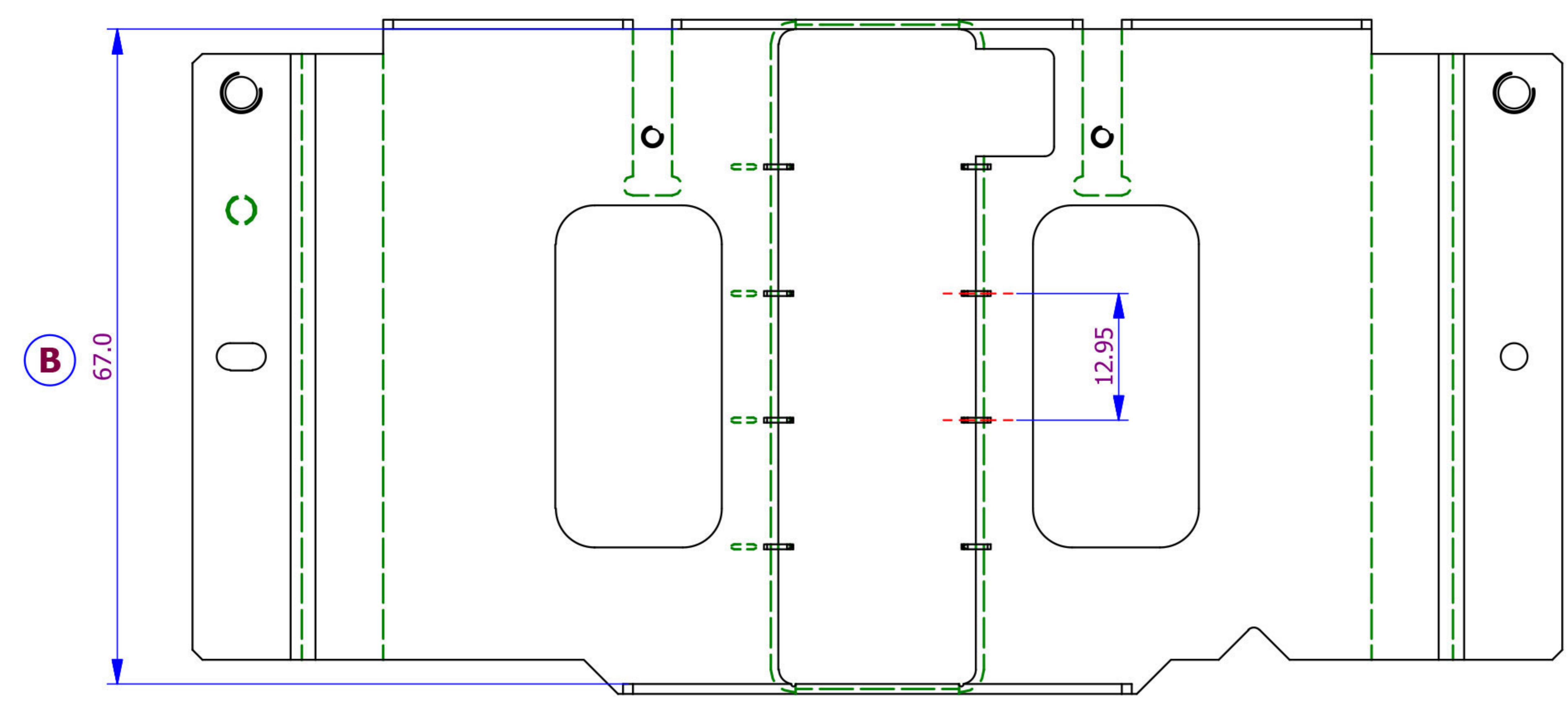
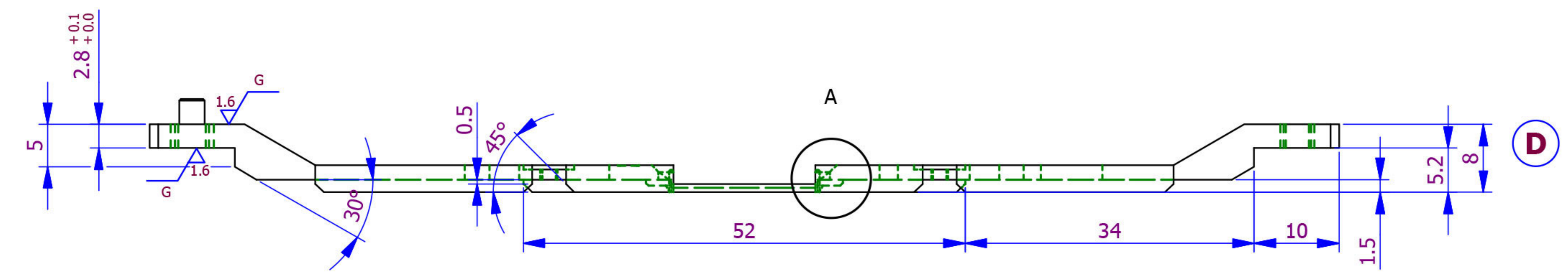
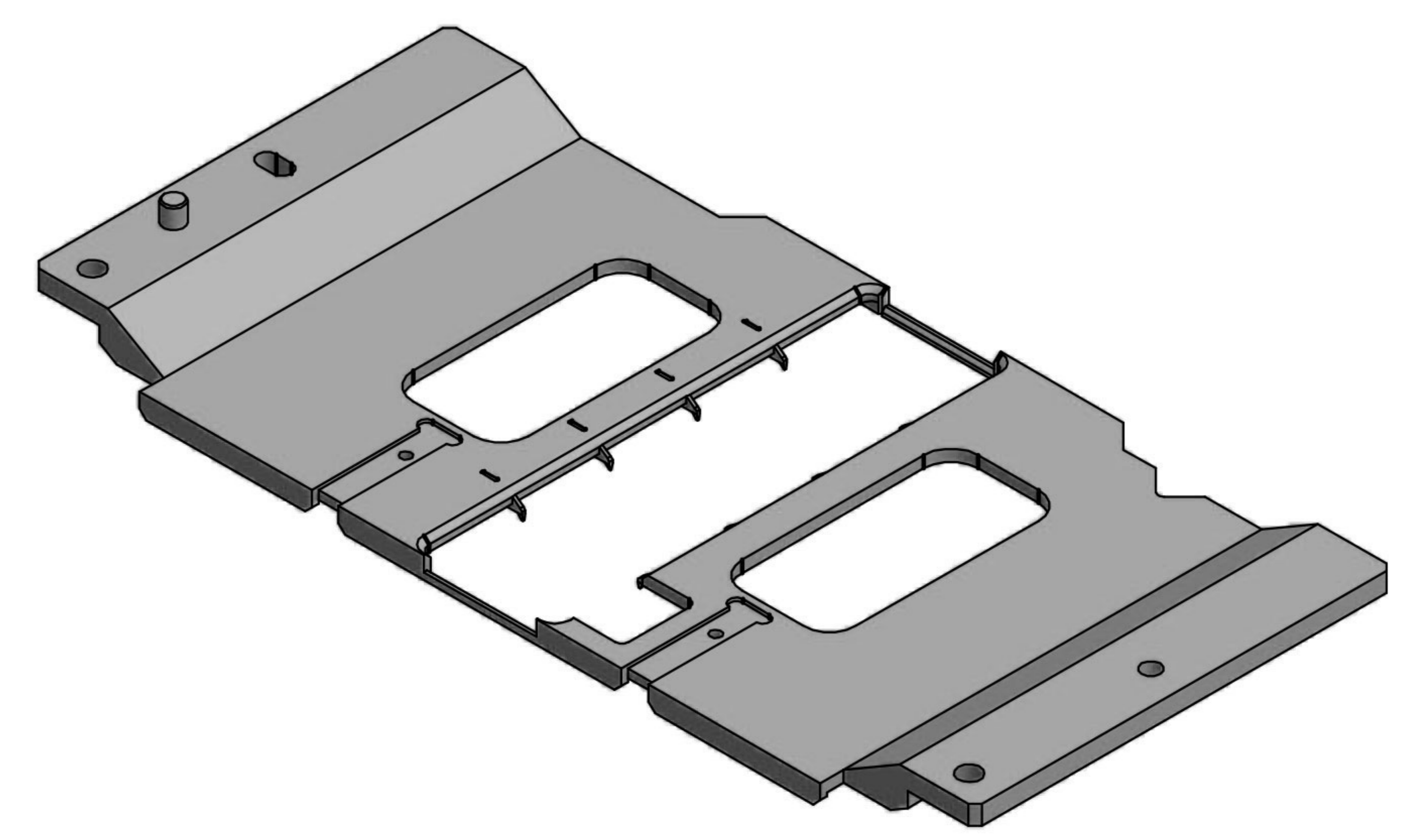
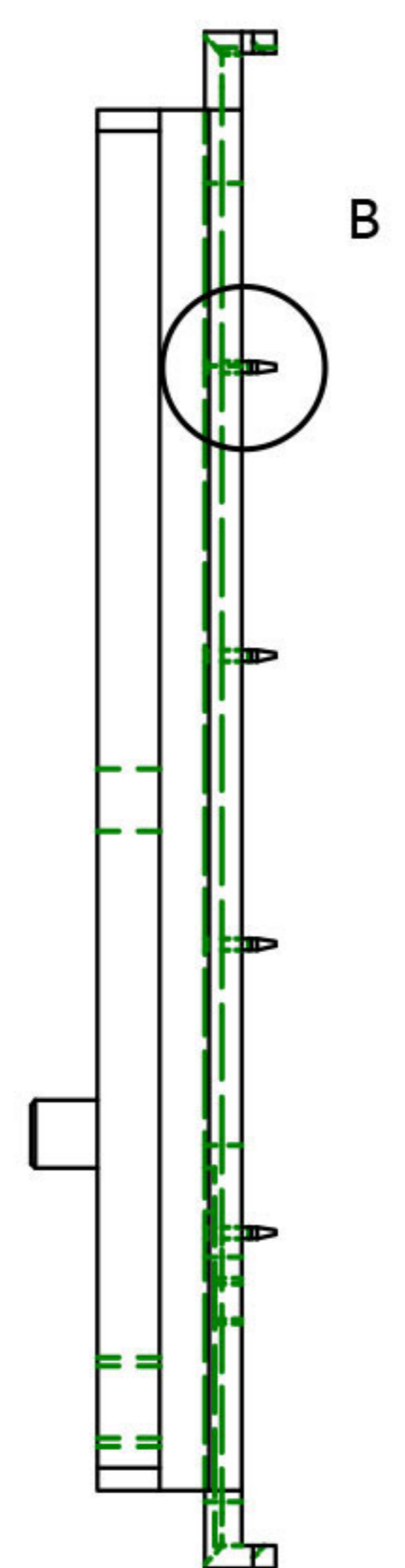
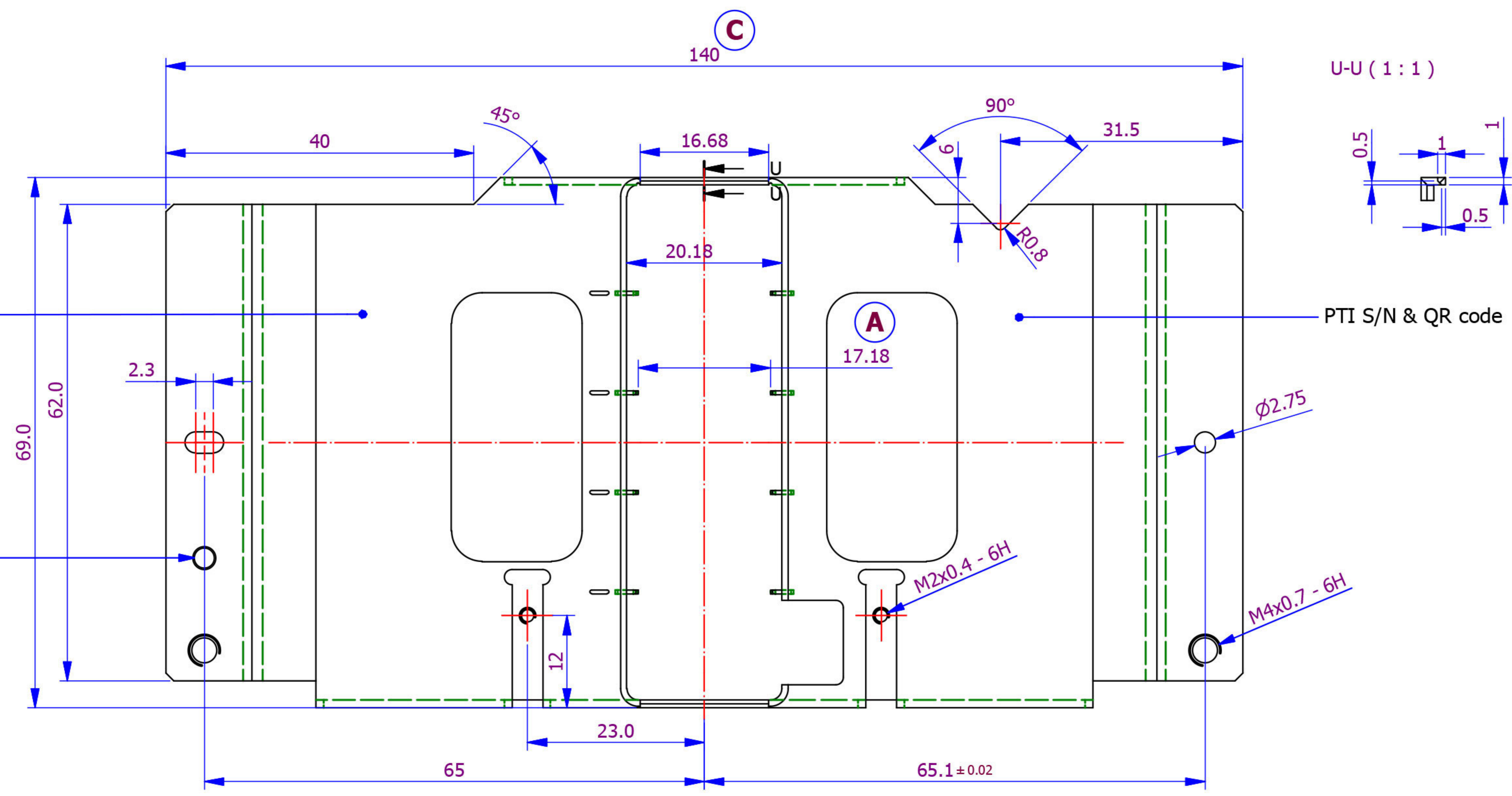


Laser marking
 APKIT-KN-BC-00426
 400FBGA_16.98X12.75mm
 400MBK003A
 PKS0537CU
 YYYY.MM.DD

Ø3mm pin high 3mm



The symbols A B ... Z are used for IQC only.