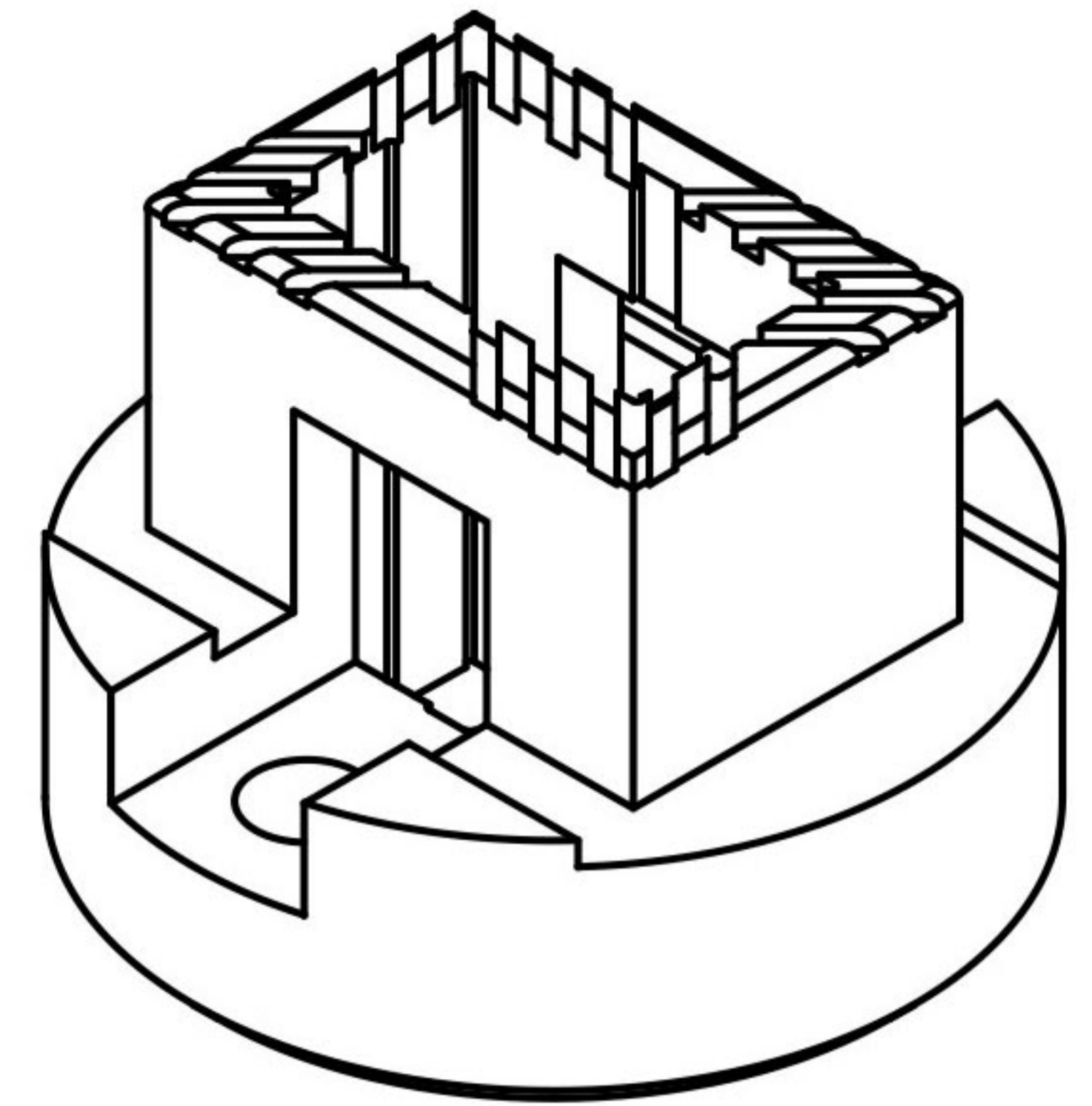
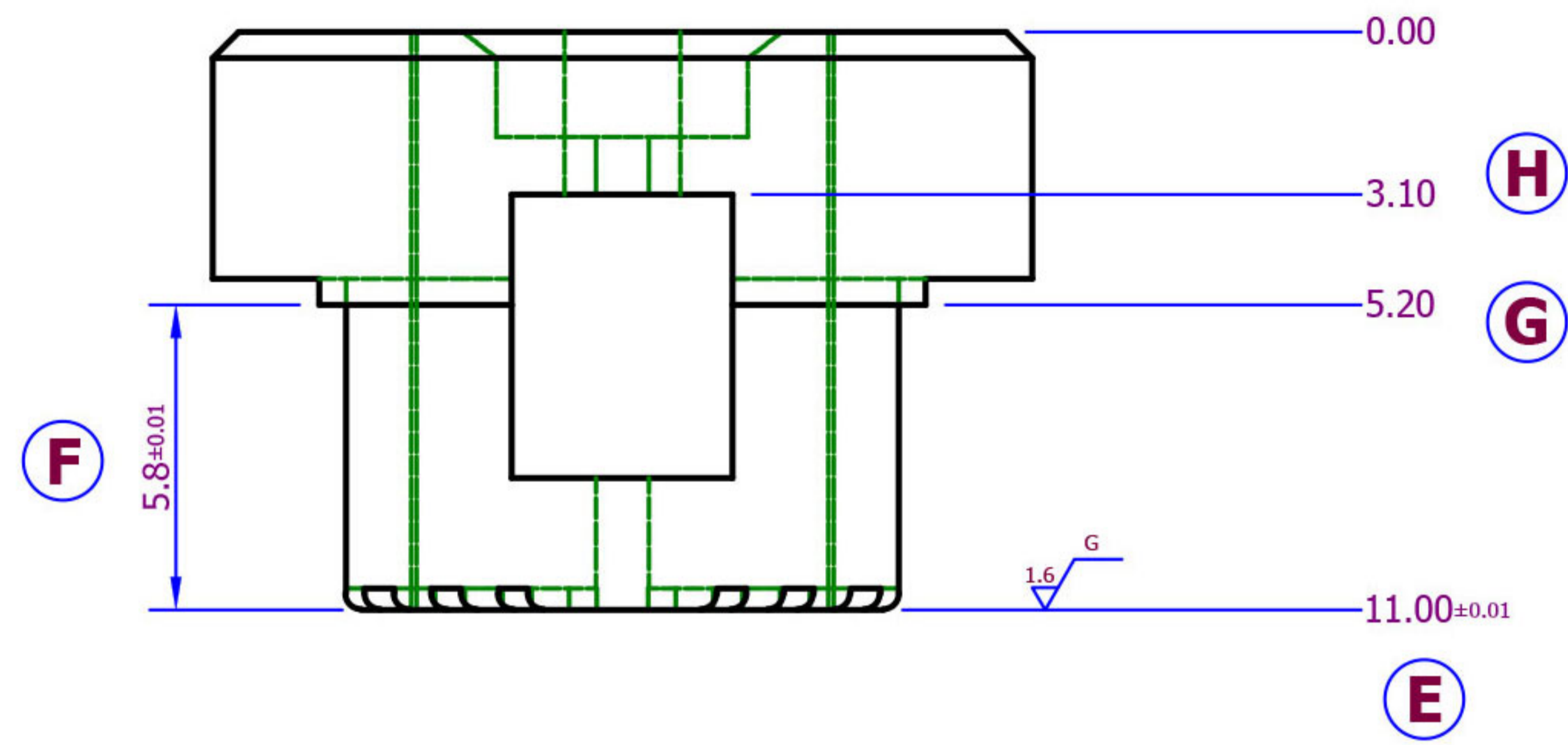
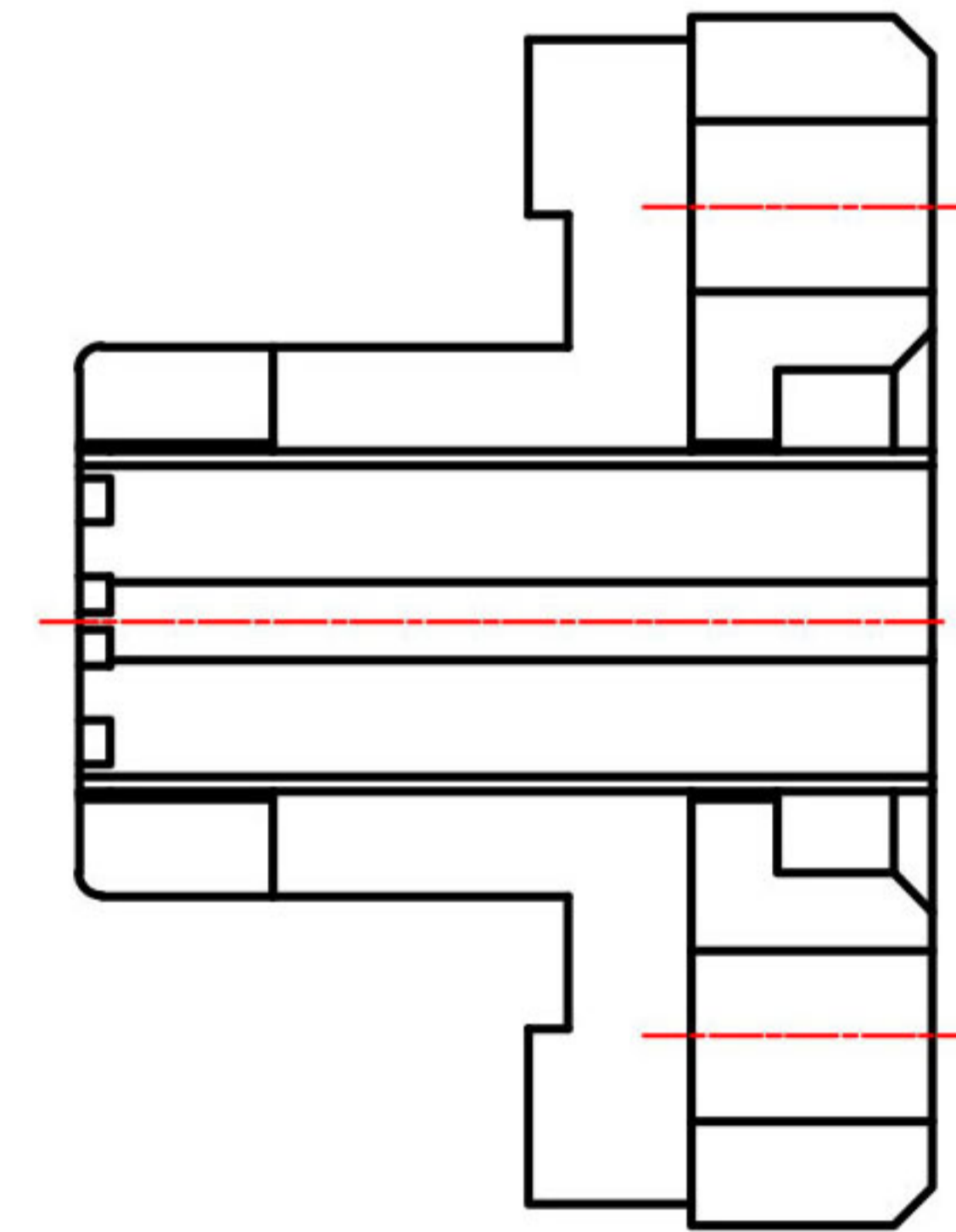
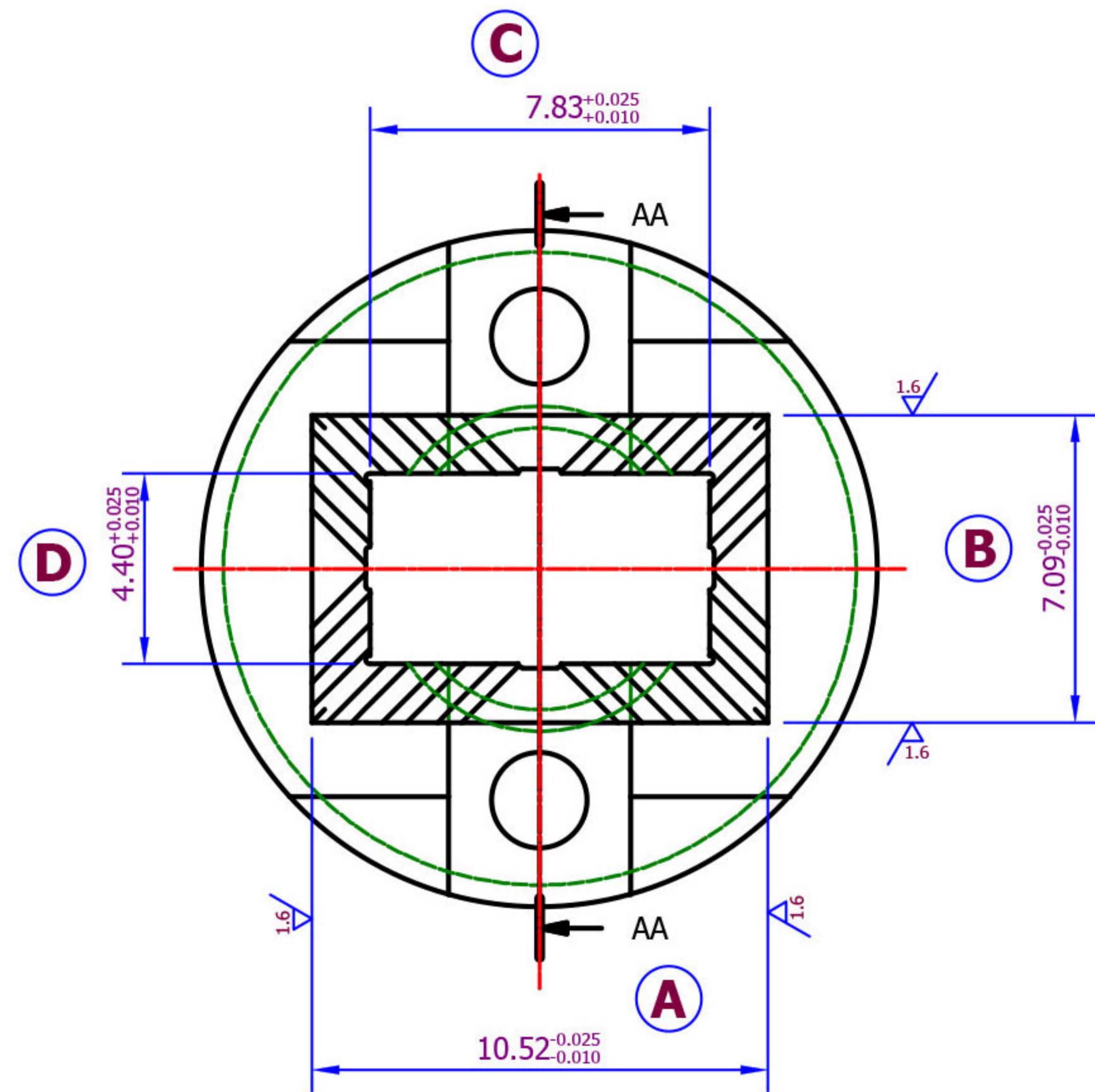


▽ ) All chamfer C0.2  $\nabla_{\text{G}}^{\text{M}}$  (  $\nabla$  )



AA-AA (4:1)



Chip Size: 12.219 x 8.787  
Step : 2