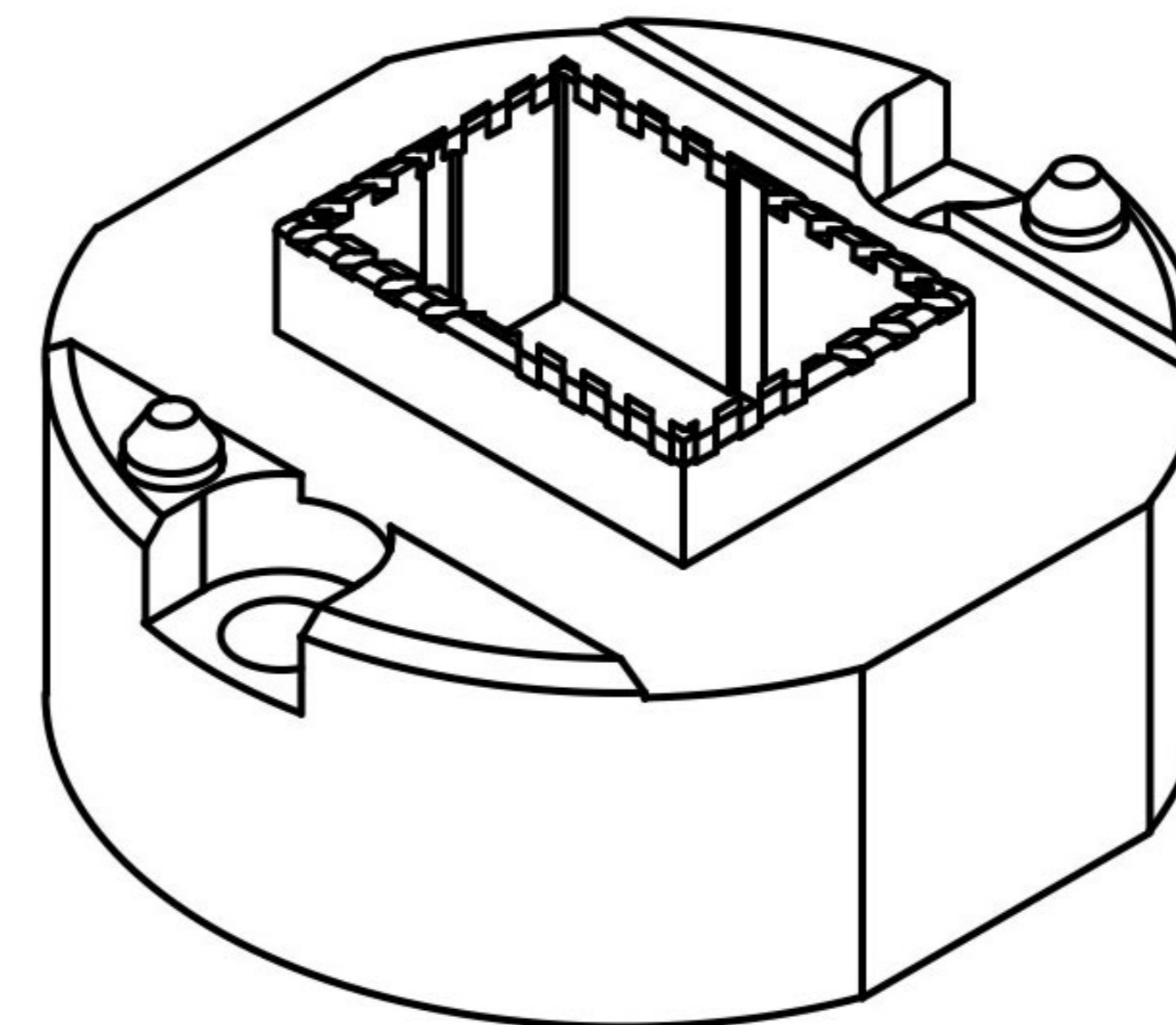
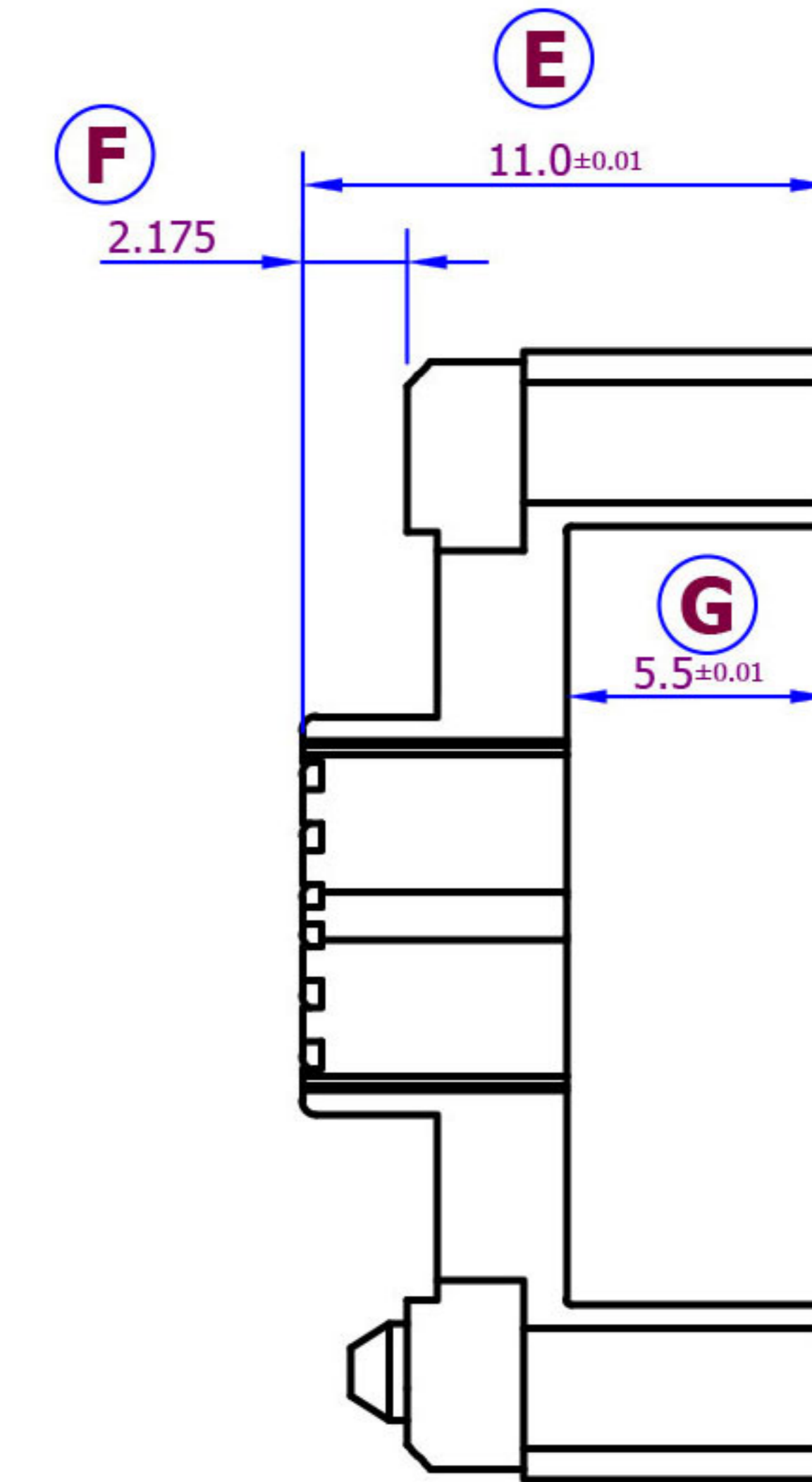
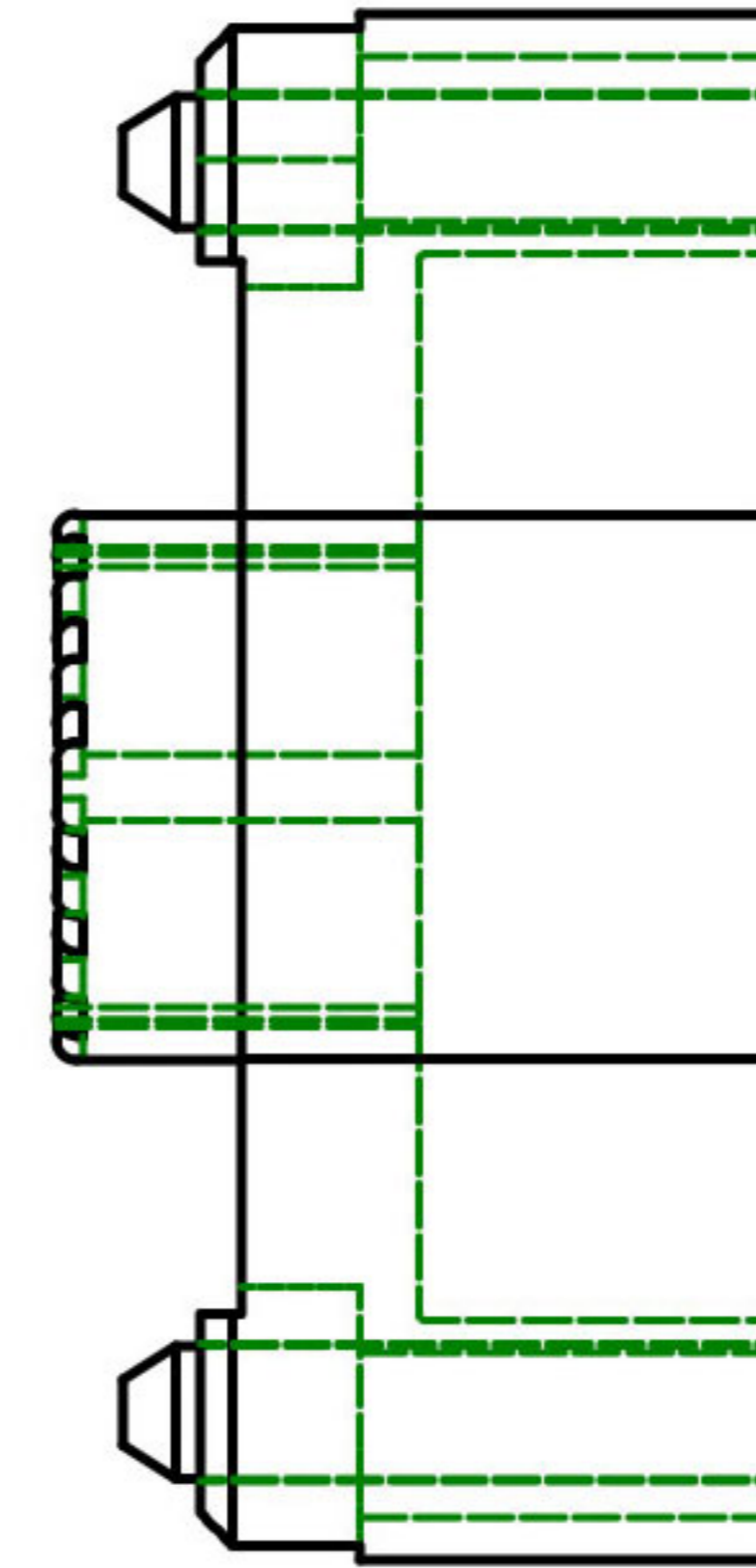
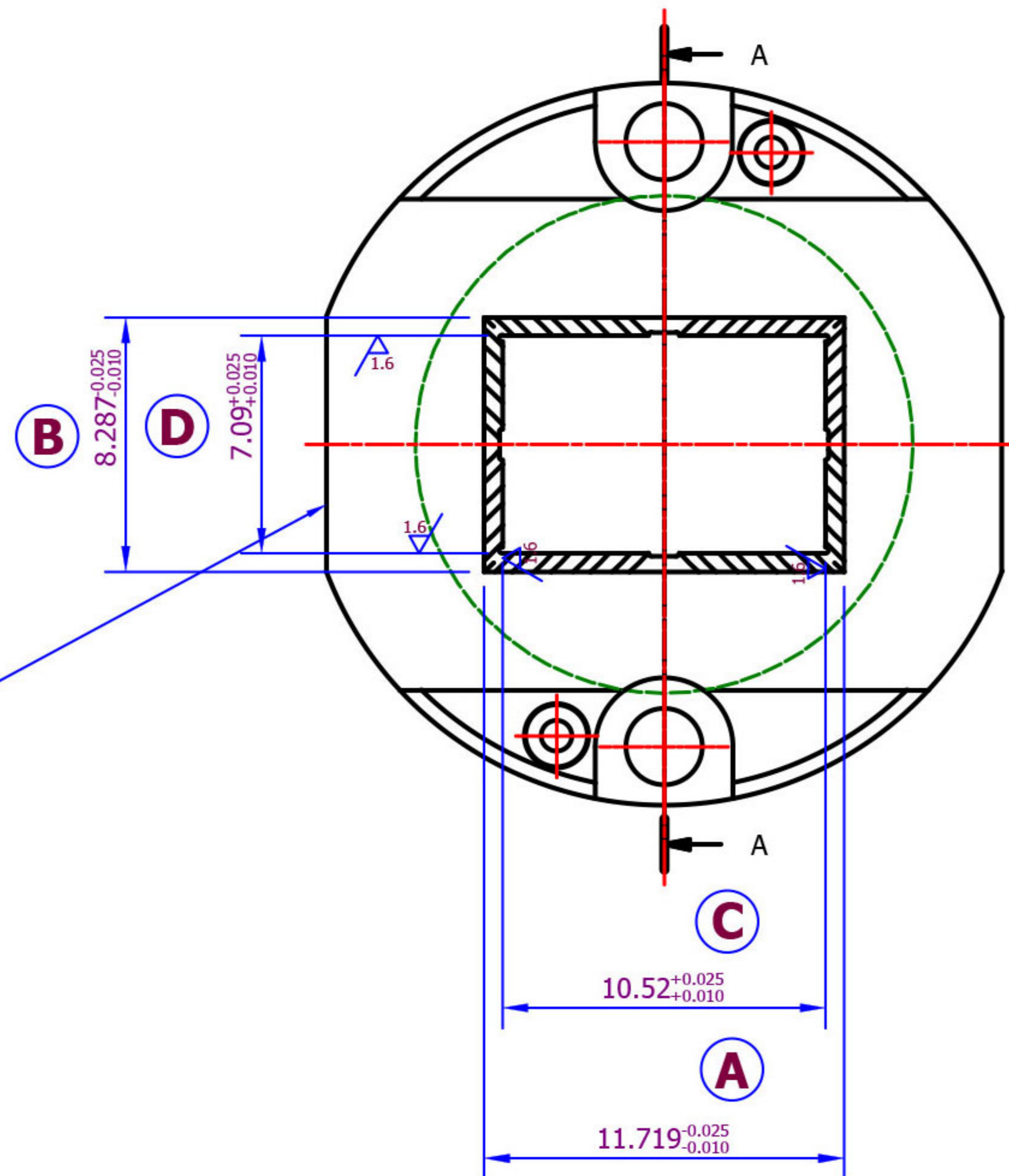


All chamfer C0.2

▽ )

A-A (3:1)

Laser marking  
Chip size: 12.219 x 8.787  
PTI S/N & QR code(4x4)



Chip Size: 12.219 x 8.787  
Step : 1