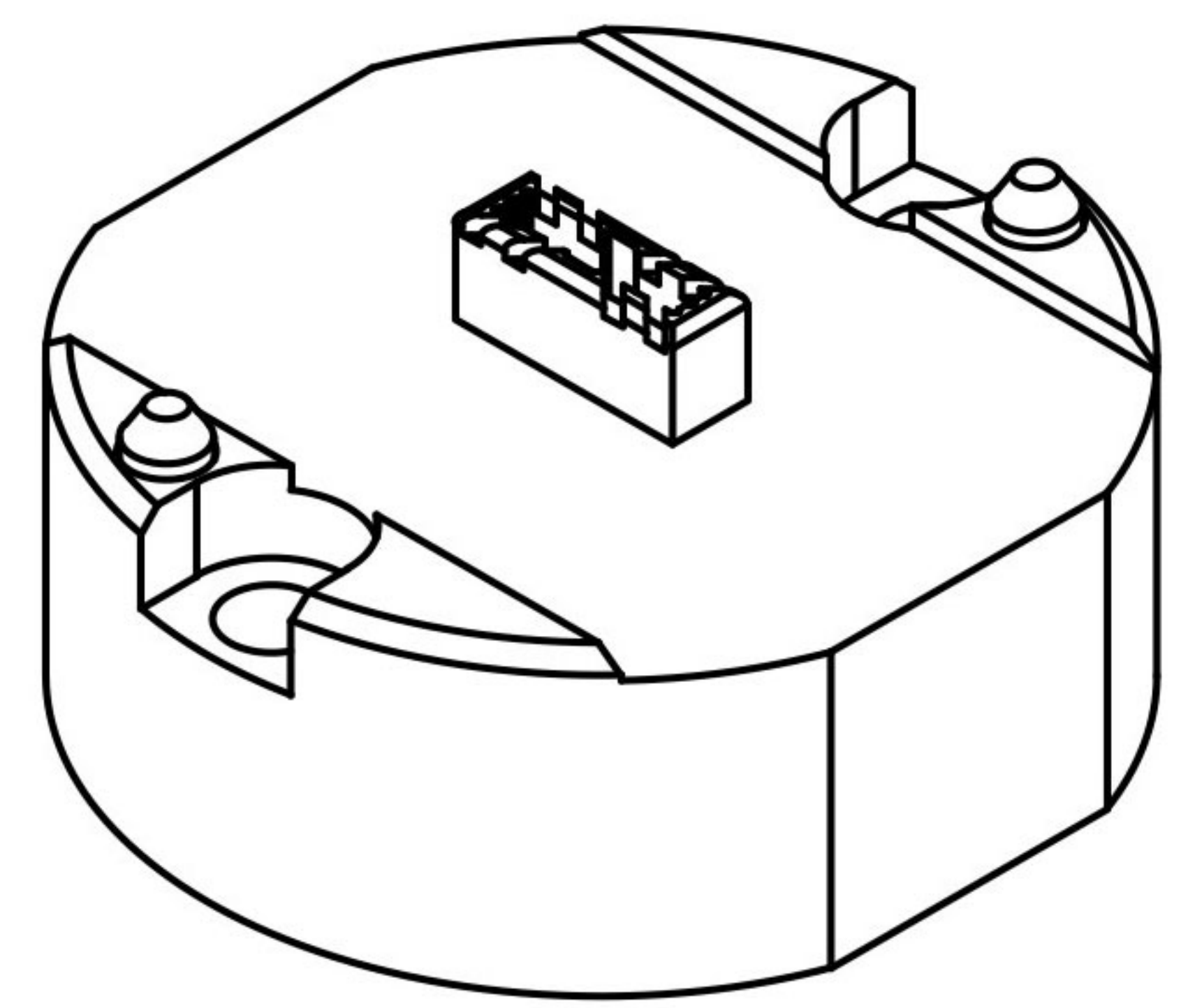
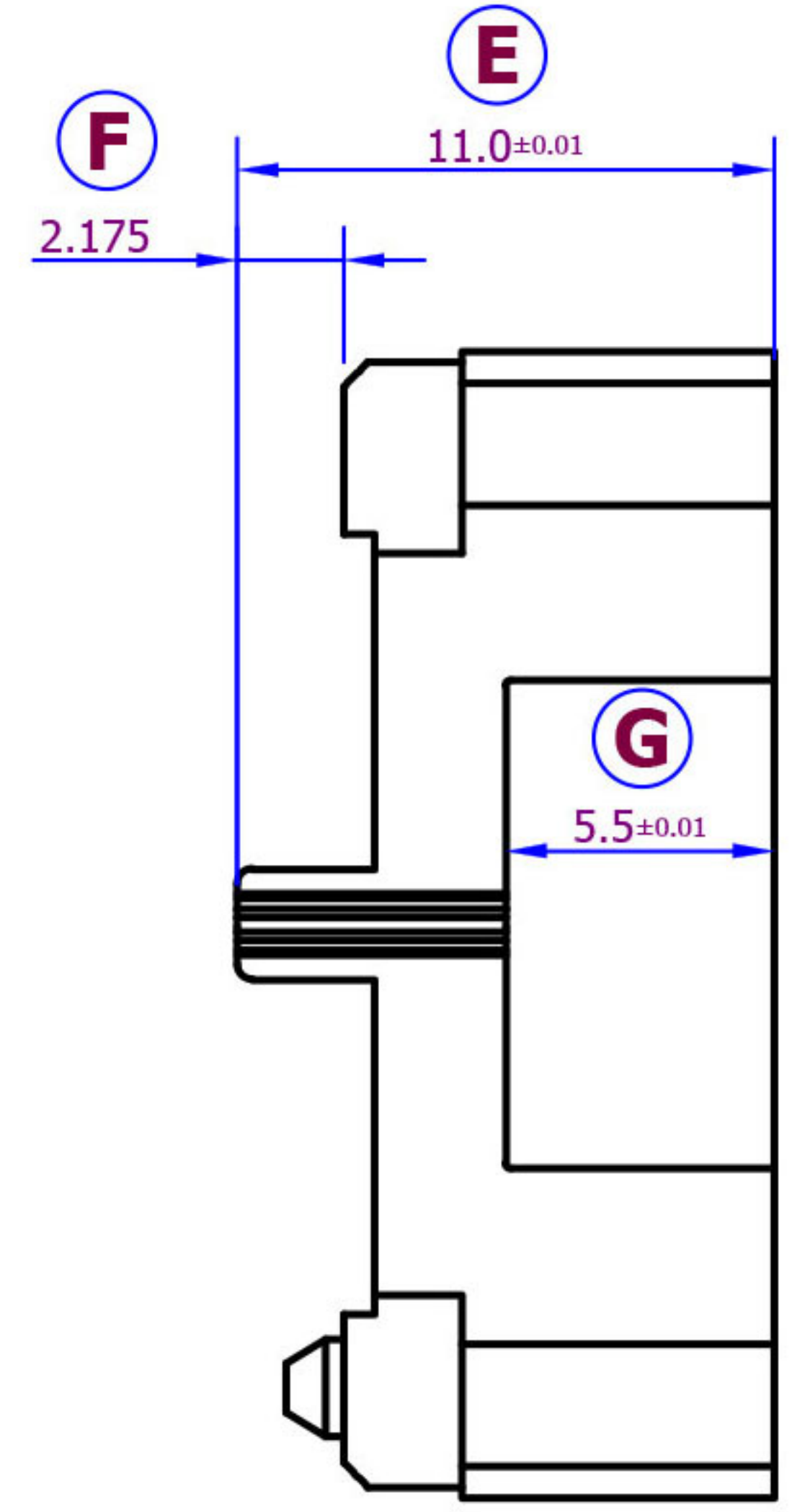
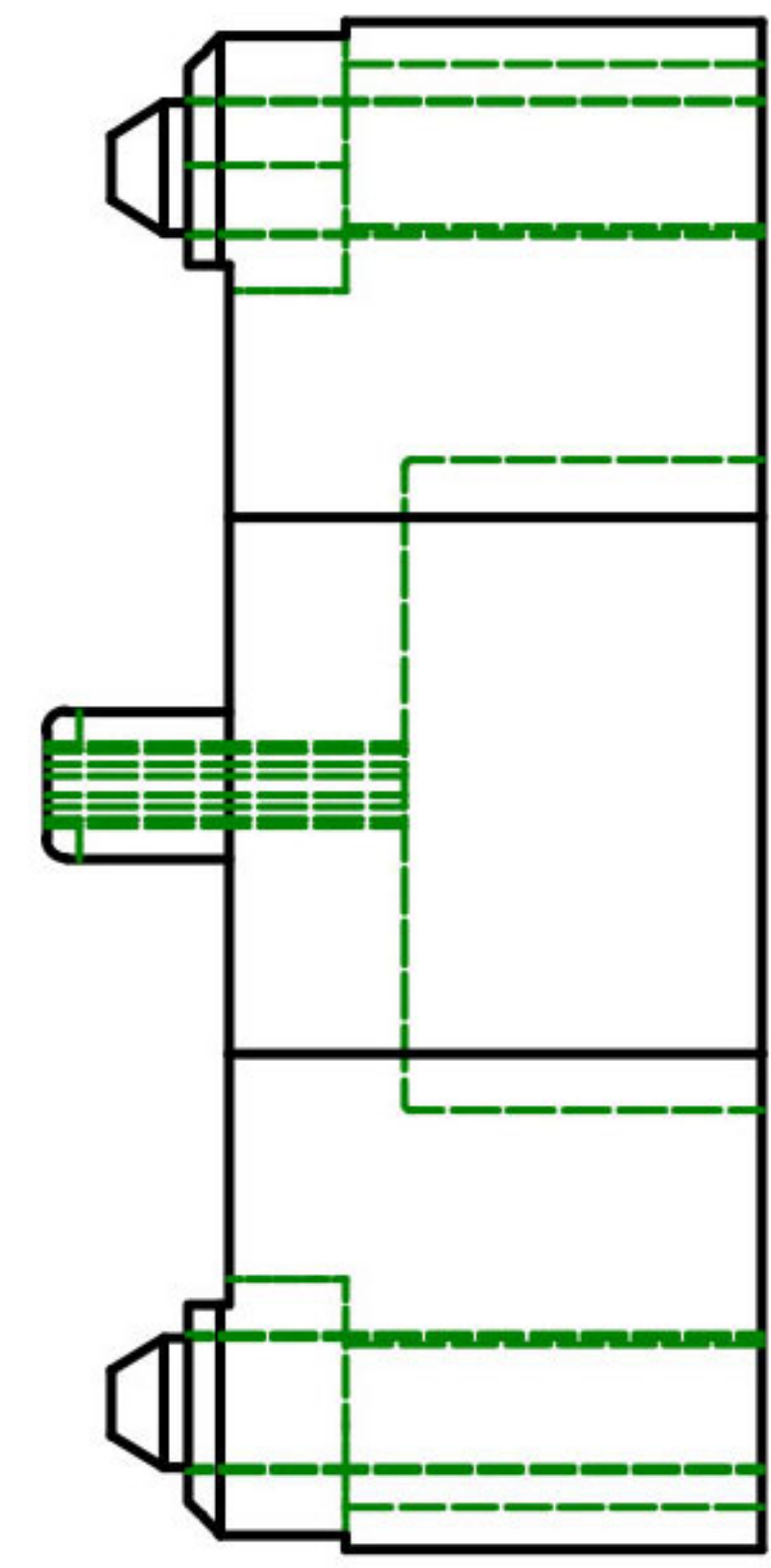
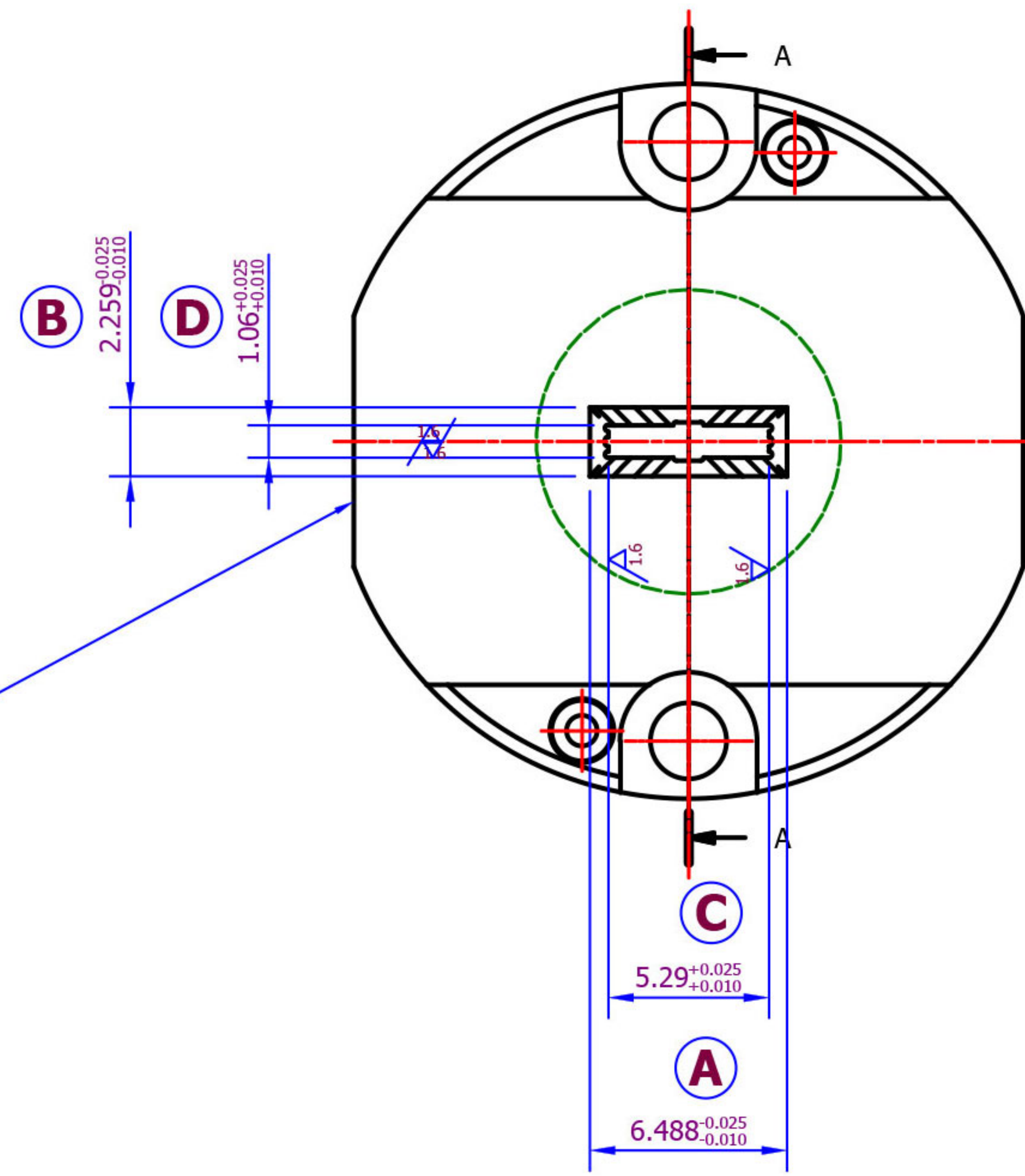


All chamfer C0.2  ()

)

A-A (3:1)

Laser marking
Chip size:6.988x2.759
PTI S/N & QR code(4x4)



Chip Size:6.988x2.759
Step : 1